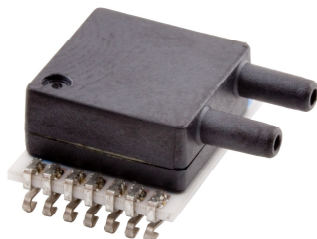


# 5701 Low Pressure Module



- Wide range of pressure ranges available  
 gage: +5, +7.5, +10, +20, +50 mbar  
 (+2, +3, +4, +8, +20 in H<sub>2</sub>O)  
 differential: ±2.5, ±3.75, ±5, ±10, ±25 mbar  
 (±1, ±1.5, ±2, ±4, ±10 in H<sub>2</sub>O)
- High resolution module, 0.001 mbar (0.0004 In H<sub>2</sub>O)
- Fast conversion, 0.54 ms
- Supply voltage 1.8 to 3.6 V
- Integrated pressure sensor (24 bit ΔΣ ADC)
- Temperature range: -20 °C to 85 °C
- I<sup>2</sup>C or SPI interface up to 20 MHz
- No external components (Internal oscillator)
- RoHS-compatible & Pb-free

## DESCRIPTION

The 5701 is a new generation SMD-hybrid device from MEAS Switzerland including a high resolution differential pressure sensor with SPI and I2C bus interface. The sensor module includes a high linear pressure sensor and an ultra low power 24 bit ΔΣ ADC with internal factory calibrated coefficients. It provides a precise digital 24 Bit pressure and temperature value and different operation modes that allow the user to optimize for conversion speed and current consumption. A high resolution temperature output allows the implementation of a thermometer function without any additional sensor. The 5701 can be interfaced to virtually any microcontroller. The communication protocol is simple, without the need to programming internal registers in the device. This new sensor module generation is based on leading MEMS technology and latest benefits from MEAS Switzerland's proven experience and know how in high volume manufacturing of pressure sensors modules which have been widely used for over a decade. The sensing principle employed leads to very low hysteresis and high stability of both pressure and temperature signal.

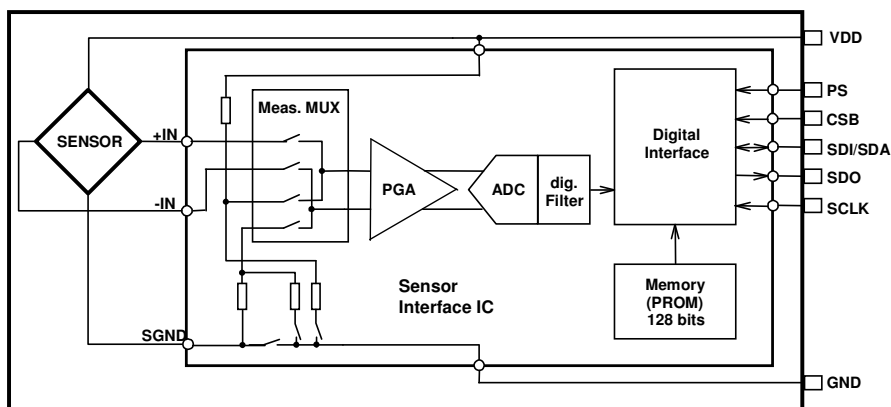
## FEATURES

- Low power, 1 μA (standby < 0.15μA)
- High Stability, insensitive to mechanical stress
- Temperature range, -20 °C to +85 °C

## APPLICATIONS

- HVAC (Heating ventilation and air conditioning)
- Respirators/Ventilators
- CPAP/Sleep Apnea Instruments
- Leak Detection
- Liquid level metering

## BLOCK DIAGRAM



## 5701 Low Pressure Module

### PRESSURE UNITS CONVERSION

mm H <sub>2</sub> O	in H <sub>2</sub> O	mm Hg	kPa	bar	mbar	PSI	atm
509.87	20.073	37.503	5.0	0.05	50.0	0.7252	0.04934

### PERFORMANCE SPECIFICATIONS

#### ABSOLUTE MAXIMUM RATINGS

Parameter	Symbol	Conditions	Min.	Typ.	Max	Unit
Supply voltage	V <sub>DD</sub>		-0.3		+4.0	V
Storage temperature	T <sub>S</sub>		-40		+125	°C
Overpressure	P <sub>max</sub>				2 800	bar In H <sub>2</sub> O
Maximum Soldering Temperature	T <sub>max</sub>	40 sec max			250	°C
ESD rating		Human Body Model	-4		+4	kV
Latch up		JEDEC standard No 78	-100		+100	mA

#### ELECTRICAL CHARACTERISTICS

Parameter	Symbol	Conditions	Min.	Typ.	Max	Unit
Operating Supply voltage	V <sub>DD</sub>		1.8	3.0	3.6	V
Operating Temperature	T		-20	+25	+85	°C
Supply current (1 sample per sec.)	I <sub>DD</sub>	OSR 4096 2048 1024 512 256		12.5 6.3 3.2 1.7 0.9		μA
Peak supply current		during conversion		1.4		mA
Standby supply current		At 25 °C		0.02	0.14	μA
VDD Capacitor		From VDD to GND	100			nF

#### ANALOG DIGITAL CONVERTER (ADC)

Parameter	Symbol	Conditions	Min.	Typ.	Max	Unit
Output Word				24		bit
Conversion time	t <sub>c</sub>	OSR 4096 2048 1024 512 256	7.40 3.72 1.88 0.95 0.48	8.22 4.13 2.08 1.06 0.54	9.04 4.54 2.28 1.17 0.60	ms

## 5701 Low Pressure Module

### PERFORMANCE SPECIFICATIONS (CONTINUED)

#### PRESSURE OUTPUT CHARACTERISTICS IN METRIC UNITS ( $V_{DD} = 3\text{ V}$ , $T = 25^\circ\text{C}$ UNLESS OTHERWISE NOTED)

Parameter	Conditions	Min.	Typ.	Max	Unit
Optimized Operating Pressure Range	5701-05MG	0		5	mbar
	5701-07MG	0		7.5	mbar
	5701-10MG	0		10	mbar
	5701-20MG	0		20	mbar
	5701-50MG	0		50	mbar
	5701-05MD	-2.5		2.5	mbar
	5701-07MD	-3.75		3.75	mbar
	5701-10MD	-5		5	mbar
	5701-20MD	-10		10	mbar
	5701-50MD	-25		25	mbar
Absolute Accuracy on pressure range (autozero at one pressure point)	5701-05MG	25°C	-0.1	0.1	mbar
		-20...85°C	-0.25	0.25	
	5701-07MG	25°C	-0.12	0.12	mbar
		-20...85°C	-0.3	0.3	
	5701-10MG	25°C	-0.15	0.15	mbar
		-20...85°C	-0.4	0.4	
	5701-20MG	25°C	-0.25	0.25	mbar
		-20...85°C	-0.7	0.7	
	5701-50MG	25°C	-0.5	0.5	mbar
		-20...85°C	-1	1	
5701-05MD	25°C	-0.1	0.1	mbar	
	-20...85°C	-0.25	0.25		
5701-07MD	25°C	-0.12	0.12	mbar	
	-20...85°C	-0.3	0.3		
5701-10MD	25°C	-0.15	0.15	mbar	
	-20...85°C	-0.4	0.4		
5701-20MD	25°C	-0.25	0.25	mbar	
	-20...85°C	-0.7	0.7		
5701-50MD	25°C	-0.5	0.5	mbar	
	-20...85°C	-1	1		
Maximum error with supply voltage	$V_{DD} = 1.8\text{ V} \dots 3.6\text{ V}$		Tbd		mbar
Long-term stability			Tbd		mbar/yr
Resolution RMS	OSR	4096	0.0010	mbar	
		2048	0.0015		
		1024	0.0023		
		512	0.0034		
		256	0.0051		

## 5701 Low Pressure Module

### PERFORMANCE SPECIFICATIONS (CONTINUED)

#### PRESSURE OUTPUT CHARACTERISTICS IN IMPERIAL UNITS ( $V_{DD} = 3\text{ V}$ , $T = 25^\circ\text{C}$ UNLESS OTHERWISE NOTED)

Parameter	Conditions	Min.	Typ.	Max	Unit	
Optimized Operating Pressure Range	5701-05MG	0		2	In H <sub>2</sub> O	
	5701-07MG	0		3	In H <sub>2</sub> O	
	5701-10MG	0		4	In H <sub>2</sub> O	
	5701-20MG	0		8	In H <sub>2</sub> O	
	5701-50MG	0		20	In H <sub>2</sub> O	
	5701-05MD	-1		1	In H <sub>2</sub> O	
	5701-07MD	-1.5		1.5	In H <sub>2</sub> O	
	5701-10MD	-2		2	In H <sub>2</sub> O	
	5701-20MD	-4		4	In H <sub>2</sub> O	
	5701-50MD	-10		10	In H <sub>2</sub> O	
Absolute Accuracy on pressure range (autozero at one pressure point)	5701-05MG	25°C	-0.04		0.04	In H <sub>2</sub> O
		-20...85°C	-0.1		0.1	
	5701-07MG	25°C	-0.048		0.048	In H <sub>2</sub> O
		-20...85°C	-0.12		0.12	
	5701-10MG	25°C	-0.06		0.06	In H <sub>2</sub> O
		-20...85°C	-0.16		0.16	
	5701-20MG	25°C	-0.1		0.1	In H <sub>2</sub> O
		-20...85°C	-0.28		0.28	
	5701-50MG	25°C	-0.2		0.2	In H <sub>2</sub> O
		-20...85°C	-0.4		0.4	
5701-05MD	25°C	-0.04		0.04	In H <sub>2</sub> O	
	-20...85°C	-0.1		0.1		
5701-07MD	25°C	-0.048		0.048	In H <sub>2</sub> O	
	-20...85°C	-0.12		0.12		
5701-10MD	25°C	-0.06		0.06	In H <sub>2</sub> O	
	-20...85°C	-0.16		0.16		
5701-20MD	25°C	-0.1		0.1	In H <sub>2</sub> O	
	-20...85°C	-0.28		0.28		
5701-50MD	25°C	-0.2		0.2	In H <sub>2</sub> O	
	-20...85°C	-0.4		0.4		
Maximum error with supply voltage	$V_{DD} = 1.8\text{ V} \dots 3.6\text{ V}$			Tbd	In H <sub>2</sub> O	
Long-term stability				Tbd	In H <sub>2</sub> O/yr	
Resolution RMS	OSR	4096		0.0004	In H <sub>2</sub> O	
		2048		0.0006		
		1024		0.0009		
		512		0.0014		
		256		0.0020		

## 5701 Low Pressure Module

### PERFORMANCE SPECIFICATIONS (CONTINUED)

#### TEMPERATURE OUTPUT CHARACTERISTICS ( $V_{DD} = 3\text{ V}$ , $T = 25^\circ\text{C}$ UNLESS OTHERWISE NOTED)

Parameter	Conditions	Min.	Typ.	Max	Unit
Absolute Accuracy	at $25^\circ\text{C}$ $-20..85^\circ\text{C}$	-0.8 -2.0		+0.8 +2.0	$^\circ\text{C}$
Maximum error with supply voltage	$V_{DD} = 1.8\text{ V} \dots 3.6\text{ V}$	-0.5		+0.5	$^\circ\text{C}$
Resolution RMS	OSR	4096	0.002		$^\circ\text{C}$
		2048	0.003		
		1024	0.005		
		512	0.008		
		256	0.012		

#### DIGITAL INPUTS (CSB, $I^2C$ , DIN, SCLK)

Parameter	Symbol	Conditions	Min.	Typ.	Max	Unit
Serial data clock	SCLK	SPI protocol			20	MHz
Input high voltage	$V_{IH}$	Pins CSB	$80\% V_{DD}$		$100\% V_{DD}$	V
Input low voltage	$V_{IL}$		$0\% V_{DD}$		$20\% V_{DD}$	V
Input leakage current	$I_{leak25^\circ\text{C}}$ $I_{leak85^\circ\text{C}}$	at $25^\circ\text{C}$			0.15	$\mu\text{A}$
Input capacitance	$C_{IN}$				6	pF

#### PRESSURE OUTPUTS ( $I^2C$ , DOUT)

Parameter	Symbol	Conditions	Min.	Typ.	Max	Unit
Output high voltage	$V_{OH}$	$I_{source} = 1.0\text{ mA}$	$80\% V_{DD}$		$100\% V_{DD}$	V
Output low voltage	$V_{OL}$	$I_{sink} = 1.0\text{ mA}$	$0\% V_{DD}$		$20\% V_{DD}$	V
Load capacitance	$C_{LOAD}$				16	pF

# 5701 Low Pressure Module

## FUNCTIONAL DESCRIPTION

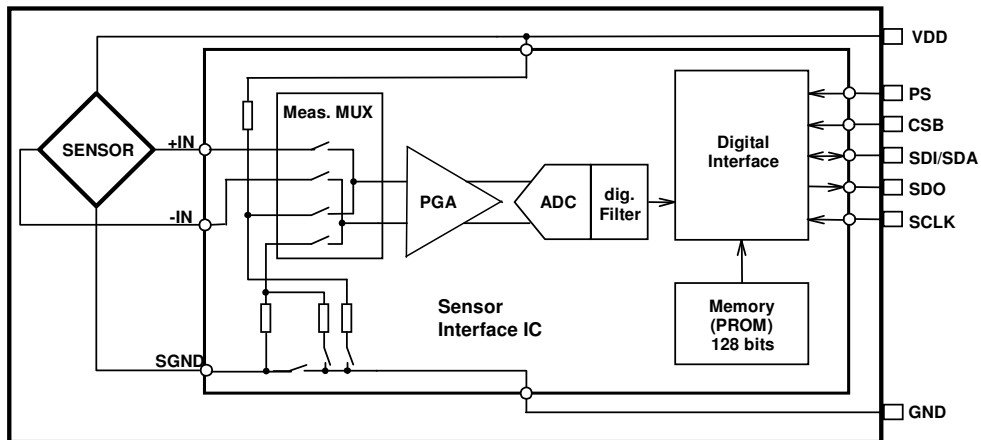


Figure 1: Block diagram of 5701

### GENERAL

The 5701 consists of a piezo-resistive sensor and a sensor interface IC. The main function of the 5701 is to convert the uncompensated analogue output voltage from the piezo-resistive pressure sensor to a 24-bit digital value, as well as providing a 24-bit digital value for the temperature of the sensor.

### FACTORY CALIBRATION

Every module is individually factory calibrated at two temperatures and two pressures. As a result, 6 coefficients necessary to compensate for process variations and temperature variations are calculated and stored in the 128-bit PROM of each module. These bits (partitioned into 6 coefficients) must be read by the microcontroller software and used in the program converting D1 and D2 into compensated pressure and temperature values.

### SERIAL INTERFACE

The 5701 has built in two types of serial interfaces: SPI and I<sup>2</sup>C. Pulling the Protocol Select pin PS to low selects the SPI protocol, pulling PS to high activates the I<sup>2</sup>C bus protocol.

Pin PS	Mode	Pins used
High	I <sup>2</sup> C	SDA
Low	SPI	SDI, SDO, CSB

### SPI MODE

The external microcontroller clocks in the data through the input SCLK (Serial CLock) and SDI (Serial Data In). In the SPI mode module can accept both mode 0 and mode 3 for the clock polarity and phase. The sensor responds on the output SDO (Serial Data Out). The pin CSB (Chip Select) is used to enable/disable the interface, so that other devices can talk on the same SPI bus. The CSB pin can be pulled high after the command is sent or after the end of the command execution (for example end of conversion). The best noise performance from the module is obtained when the SPI bus is IDLE and without communication to other devices during the ADC conversion.

## 5701 Low Pressure Module

### I<sup>2</sup>C MODE

The external microcontroller clocks in the data through the input SCLK (Serial CLock) and SDA (Serial DAta). The sensor responds on the same pin SDA which is bidirectional for the I<sup>2</sup>C bus interface. So this interface type uses only 2 signal lines and does not require a chip select, which can be favourable to reduce board space. In I<sup>2</sup>C-Mode the complement of the pin CSB (Chip Select) represents the LSB of the I<sup>2</sup>C address. It is possible to use two sensors with two different addresses on the I<sup>2</sup>C bus. The pin CSB shall be connected to VDD or GND (do not leave unconnected!).

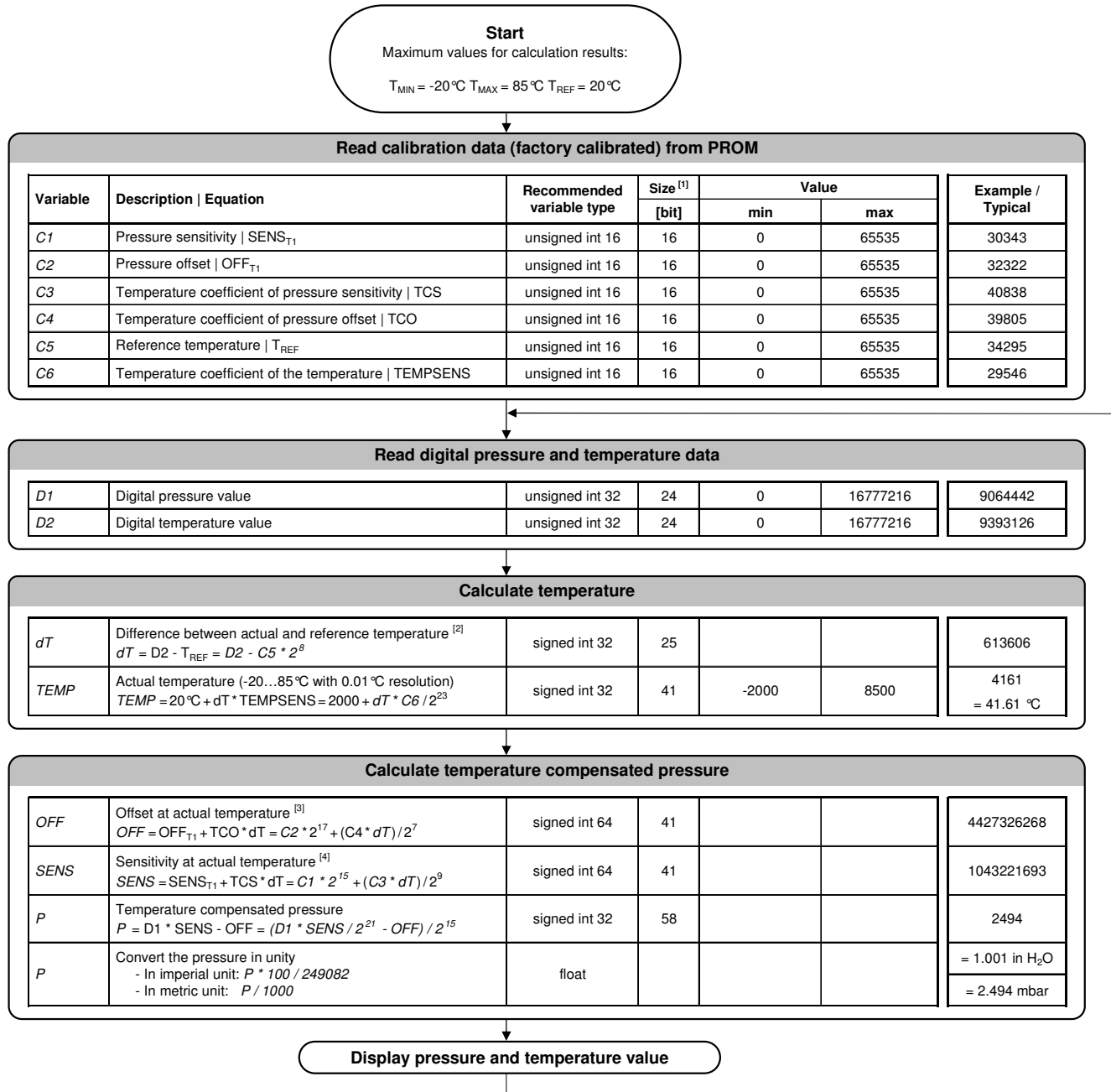
### COMMANDS

The 5701 has only five basic commands:

1. Reset
2. Read PROM (128 bit of calibration words)
3. D1 conversion
4. D2 conversion
5. Read ADC result (24 bit pressure / temperature)

# 5701 Low Pressure Module

## PRESSURE AND TEMPERATURE CALCULATION



Notes  
 [1] Maximal size of intermediate result during evaluation of variable  
 [2] min and max have to be defined  
 [3] min and max have to be defined  
 [4] min and max have to be defined

Figure 2: Flow chart for pressure and temperature reading and software compensation.

## SECOND ORDER TEMPERATURE COMPENSATION

TBD

Figure 3: Flow chart for pressure and temperature to the optimum accuracy.



# 5701 Low Pressure Module

## SPI INTERFACE

### COMMANDS

Size of each command is 1 byte (8 bits) as described in the table below. After ADC read commands the device will return 24 bit result and after the PROM read 16bit result. The address of the PROM is embedded inside of the PROM read command using the a2, a1 and a0 bits.

Bit number	Command byte								hex value
	0	1	2	3	4	5	6	7	
Bit name	PRM	COV	-	Typ	Ad2/ Os2	Ad1/ Os1	Ad0/ Os0	Stop	
Command									
Reset	0	0	0	1	1	1	1	0	0x1E
Convert D1 (OSR=256)	0	1	0	0	0	0	0	0	0x40
Convert D1 (OSR=512)	0	1	0	0	0	0	1	0	0x42
Convert D1 (OSR=1024)	0	1	0	0	0	1	0	0	0x44
Convert D1 (OSR=2048)	0	1	0	0	0	1	1	0	0x46
Convert D1 (OSR=4096)	0	1	0	0	1	0	0	0	0x48
Convert D2 (OSR=256)	0	1	0	1	0	0	0	0	0x50
Convert D2 (OSR=512)	0	1	0	1	0	0	1	0	0x52
Convert D2 (OSR=1024)	0	1	0	1	0	1	0	0	0x54
Convert D2 (OSR=2048)	0	1	0	1	0	1	1	0	0x56
Convert D2 (OSR=4096)	0	1	0	1	1	0	0	0	0x58
ADC Read	0	0	0	0	0	0	0	0	0x00
PROM Read Add0	1	0	1	0	0	0	0	0	0xA0
PROM Read Add1	1	0	1	0	0	0	1	0	0xA2
PROM Read Add2	1	0	1	0	0	1	0	0	0xA4
PROM Read Add3	1	0	1	0	0	1	1	0	0xA6
PROM Read Add4	1	0	1	0	1	0	0	0	0xA8
PROM Read Add5	1	0	1	0	1	0	1	0	0xAA
PROM Read Add6	1	0	1	0	1	1	0	0	0xAC
PROM Read Add7	1	0	1	0	1	1	1	0	0xAE

Figure 4: Command structure

### RESET SEQUENCE

The Reset sequence shall be sent once after power-on to make sure that the calibration PROM gets loaded into the internal register. It can be also used to reset the device ROM from an unknown condition

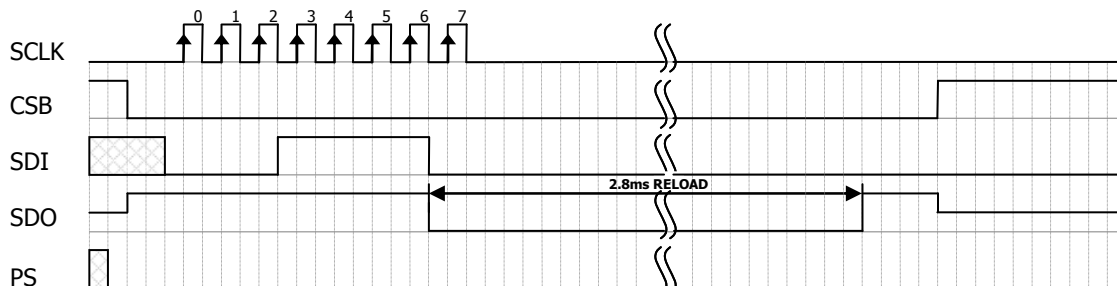


Figure 5: Reset command sequence SPI mode 0

# 5701 Low Pressure Module

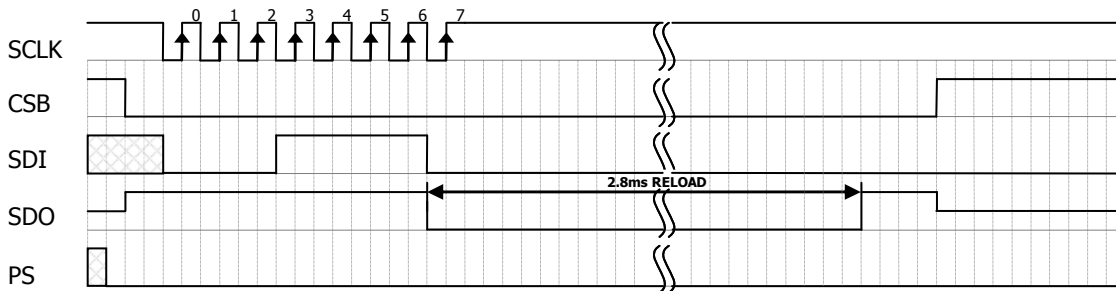


Figure 6: Reset command sequence SPI mode 3

## CONVERSION SEQUENCE

The conversion command is used to initiate uncompensated pressure (D1) or uncompensated temperature (D2) conversion. The chip select can be disabled during this time to communicate with other devices. After the conversion, using ADC read command the result is clocked out with the MSB first. If the conversion is not executed before the ADC read command, or the ADC read command is repeated, it will give 0 as the output result. If the ADC read command is sent during conversion the result will be 0, the conversion will not stop and the final result will be wrong. Conversion sequence sent during the already started conversion process will yield incorrect result as well.

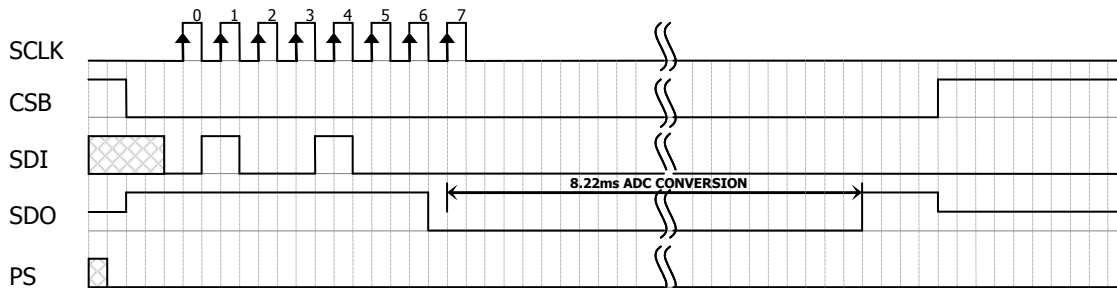


Figure 7: Conversion out sequence, Typ=d1, OSR = 4096

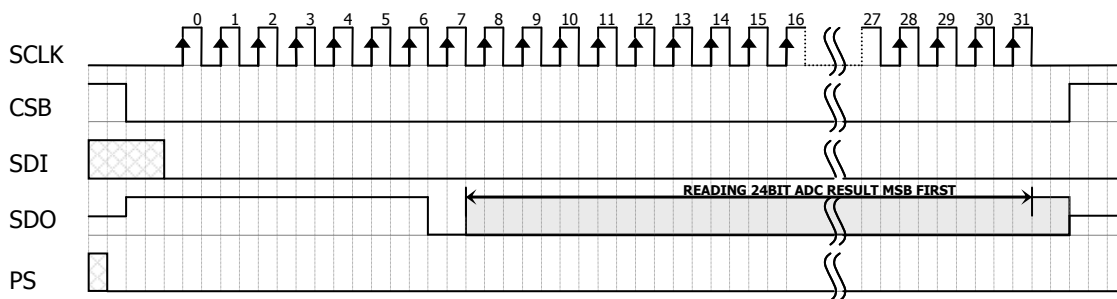


Figure 8: ADC Read sequence

## PROM READ SEQUENCE

The read command for PROM shall be executed once after reset by the user to read the content of the calibration PROM and to calculate the calibration coefficients. There are in total 8 addresses resulting in a total memory of 128 bit. Address 0 contains factory data and the setup, addresses 1-6 calibration coefficients and address 7 contains the serial code and CRC. The command sequence is 8 bits long with a 16 bit result which is clocked with the MSB first.

# 5701 Low Pressure Module

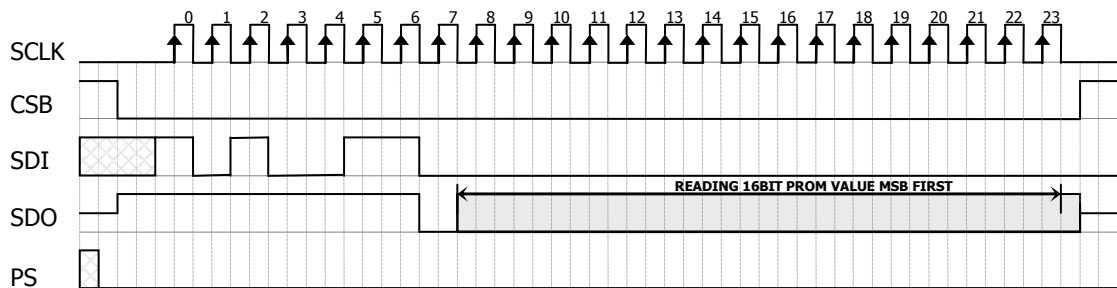


Figure 9: PROM Read sequence, address = 011 (Coefficient 3).

## I<sup>2</sup>C INTERFACE

### COMMANDS

Each I<sup>2</sup>C communication message starts with the start condition and it is ended with the stop condition. The 5701 address is 111011Cx, where C is the complementary value of the pin CSB. Since the IC does not have a microcontroller inside, the commands for I<sup>2</sup>C and SPI are quite similar.

### RESET SEQUENCE

The reset can be sent at any time. In the event that there is not a successful power on reset this may be caused by the SDA being blocked by the module in the acknowledge state. The only way to get the 5701 to function is to send several SCLKs followed by a reset sequence or to repeat power on reset.

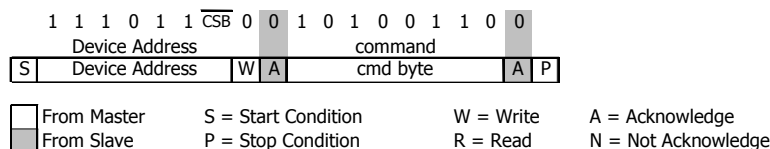


Figure 10: I<sup>2</sup>C Reset Command

### PROM READ SEQUENCE

The PROM Read command consists of two parts. First command sets up the system into PROM read mode. The second part gets the data from the system.

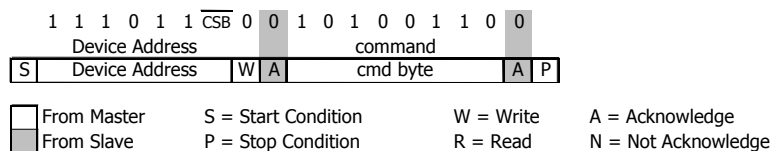


Figure 11: I<sup>2</sup>C Command to read memory address= 011 (Coefficient 3)

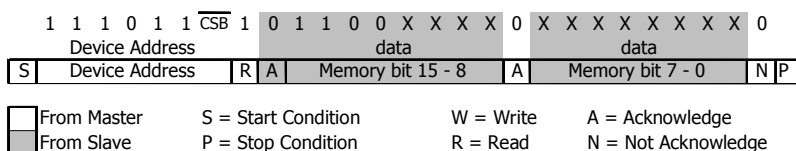


Figure 12: I<sup>2</sup>C answer from 5701

# 5701 Low Pressure Module

## CONVERSION SEQUENCE

A conversion can be started by sending the command to 5701. When command is sent to the system it stays busy until conversion is done. When conversion is finished the data can be accessed by sending a Read command, when an acknowledge appears from the 5701, 24 SCLK cycles may be sent to receive all result bits. Every 8 bit the system waits for an acknowledge signal.

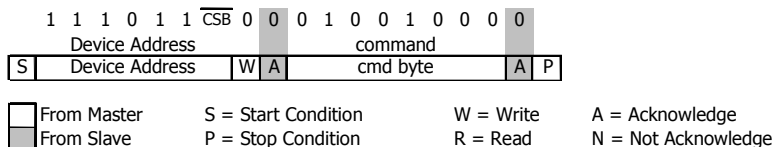


Figure 13: I<sup>2</sup>C Command to initiate a pressure conversion (OSR=4096, typ=D1)

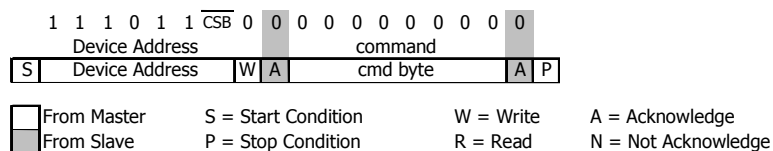


Figure 14: I<sup>2</sup>C ADC read sequence

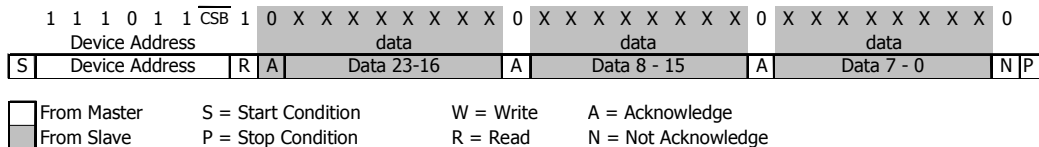


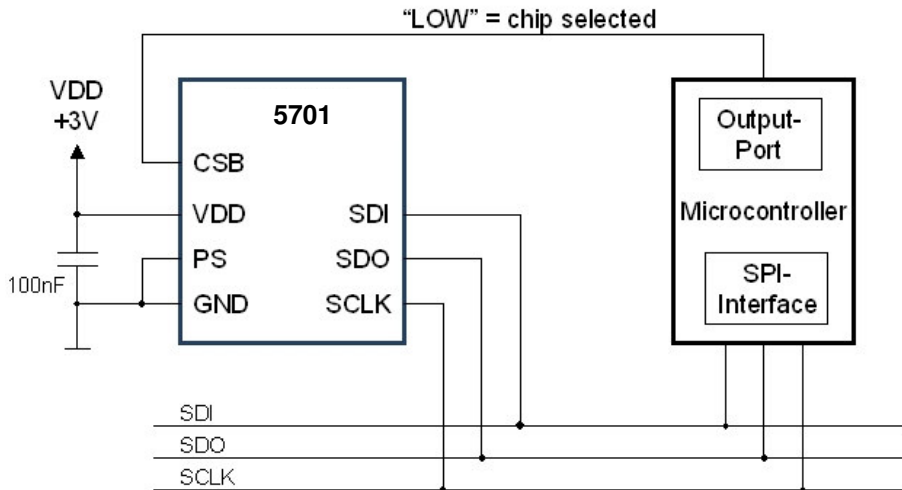
Figure 15: I<sup>2</sup>C answer from 5701

# 5701 Low Pressure Module

## APPLICATION CIRCUIT

The 5701 is a circuit that can be used in conjunction with a microcontroller in mobile applications. It is designed for low-voltage systems with a supply voltage of 3 V.

### SPI protocol communication



### I<sup>2</sup>C protocol communication

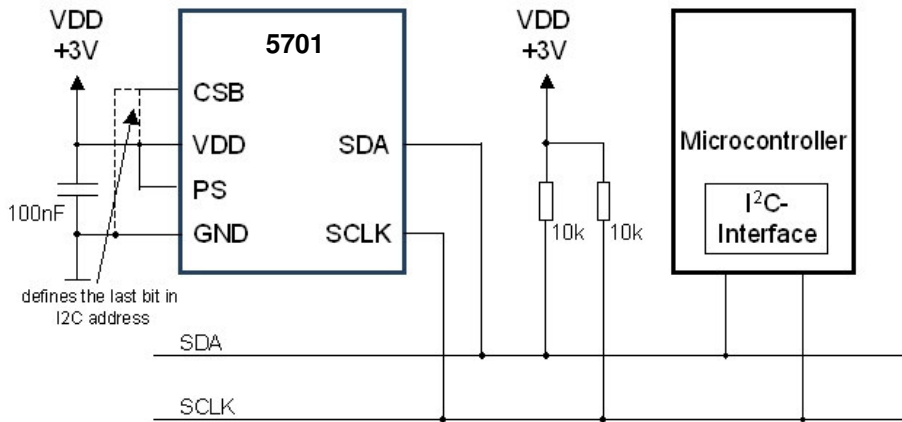
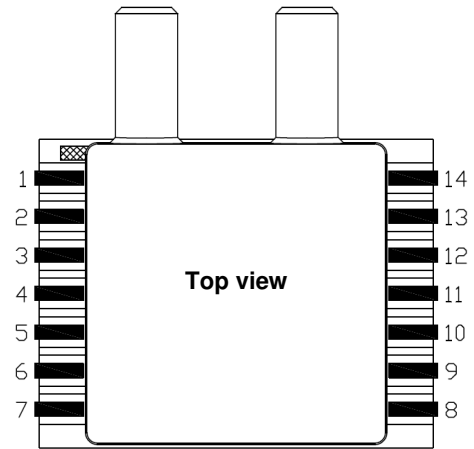


Figure 17: Typical application circuit with SPI / I<sup>2</sup>C protocol communication

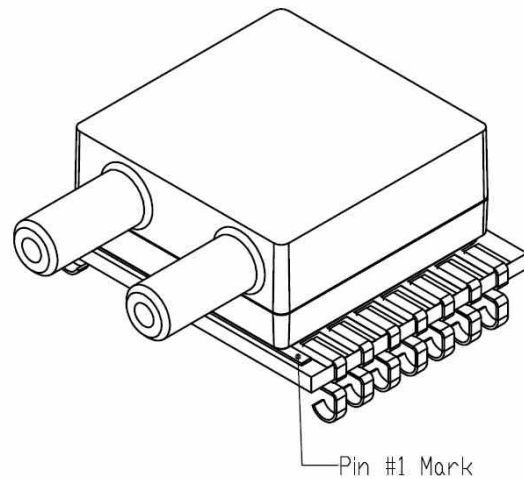
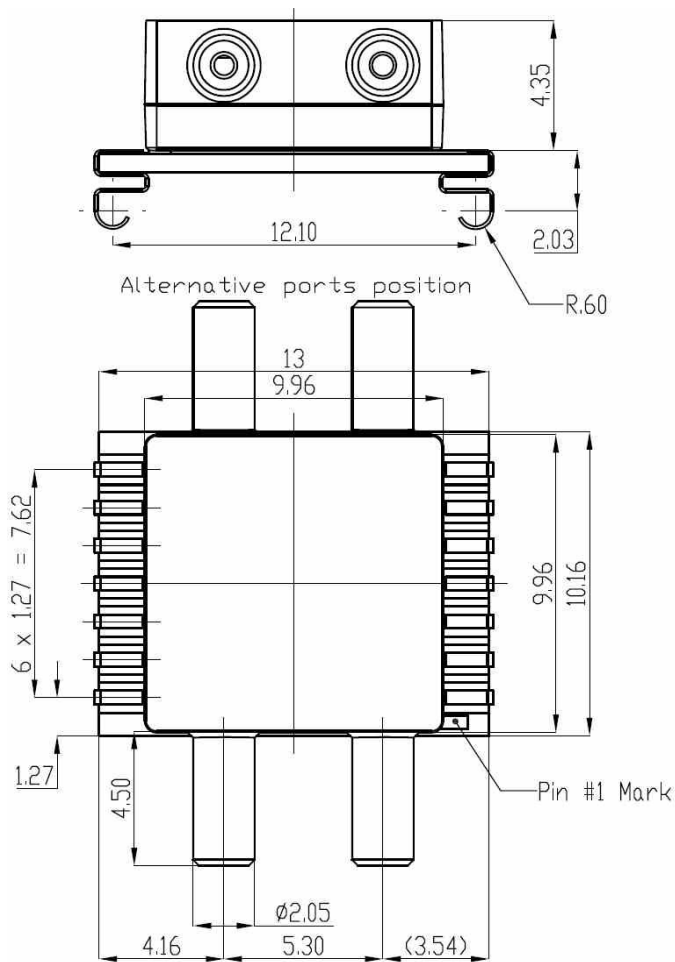
# 5701 Low Pressure Module

## PIN CONFIGURATION

Pin	Name	Type	Function
1	CSB	I	Chip select (active low), internal connection with Pin 13
2	VDD	P	Positive supply voltage
3	PS	I	Protocol select: PS high (VDD) → I <sup>2</sup> C PS low (GND) → SPI
4	SDI / SDA	I / IO	Serial data input / I <sup>2</sup> C data IO
5	SDO	O	Serial data output
6	SCLK	I	Serial data clock
7	GND	G	Ground
8 to 12	N/C	-	Not connected
13	CSB	I	Chip select (active low), internal connection with Pin 1
14	N/C	-	Not connected



## DEVICE PACKAGE OUTLINE



## 5701 Low Pressure Module

---

### MOUNTING AND ASSEMBLY CONSIDERATIONS

---

#### SOLDERING

Please refer to the application note AN808 available on our website for all soldering issues.

#### MOUNTING

The 5701 can be placed with automatic Pick & Place equipment using vacuum nozzles. It will not be damaged by the vacuum. Due to the low stress assembly the sensor does not show pressure hysteresis effects. It is important to solder all contact pads.

#### CONNECTION TO PRESSURE PORT

The best connection to the pressure port is achieved with a flexible tube fitted to the full length of the nozzle. Care should be taken to keep the nozzle clean. The tube should be flexible enough to minimize the mechanical stress on the module.

#### CLEANING

The 5701 has been manufactured under clean room conditions. It is therefore recommended to assemble the sensor under class 10'000 or better conditions. Should this not be possible, it is recommended to protect the sensor opening during assembly from entering particles and dust. To avoid cleaning of the PCB, solder paste of type "no-clean" shall be used. Cleaning might damage the sensor!

#### ESD PRECAUTIONS

The electrical contact pads are protected against ESD up to 4 kV HBM (human body model). It is therefore essential to ground machines and personnel properly during assembly and handling of the device. The 5701 is shipped in antistatic transport boxes. Any test adapters or production transport boxes used during the assembly of the sensor shall be of an equivalent antistatic material.

#### DECOUPLING CAPACITOR

Particular care must be taken when connecting the device to the power supply. A 100 nF ceramic capacitor must be placed as close as possible to the 5701 VDD pin. This capacitor will stabilize the power supply during data conversion and thus, provide the highest possible accuracy.

## 5701 Low Pressure Module

### ORDERING INFORMATION

Product Code	Product	Art. No
5701-05MG	Differential Pressure Module – 5 mbar / 2 inH <sub>2</sub> O Gauge	570105MG01-60
5701-07MG	Differential Pressure Module – 7.5 mbar / 3 inH <sub>2</sub> O Gauge	570107MG01-60
5701-10MG	Differential Pressure Module – 10 mbar / 4 inH <sub>2</sub> O Gauge	570110MG01-60
5701-20MG	Differential Pressure Module – 20 mbar / 8 inH <sub>2</sub> O Gauge	570120MG01-60
5701-50MG	Differential Pressure Module – 50 mbar / 20 inH <sub>2</sub> O Gauge	570150MG01-60
5701-05MD	Differential Pressure Module – ± 2.5 mbar / ± 1 inH <sub>2</sub> O Differential	570105MD01-60
5701-07MD	Differential Pressure Module – ± 3.75 mbar / ± 1.5 inH <sub>2</sub> O Differential	570107MD01-60
5701-10MD	Differential Pressure Module – ± 5 mbar / ± 2 inH <sub>2</sub> O Differential	570110MD01-60
5701-20MD	Differential Pressure Module – ±10 mbar / ± 4 inH <sub>2</sub> O Differential	570120MD01-60
5701-50MD	Differential Pressure Module – ±25 mbar / ±10 inH <sub>2</sub> O Differential	570150MD01-60

### FACTORY CONTACTS

#### NORTH AMERICA

Measurement Specialties, Inc.  
1000 Lucas Way  
Hampton, VA 23666

Tel: +1 800 555 1551  
Fax: +1 757 766 4297  
e-mail: [sales@meas-spec.com](mailto:sales@meas-spec.com)

#### EUROPE

MEAS Switzerland SA  
Ch. Chapons-des-Prés 11  
CH-2022 Bevaix

Tel: +41 32 847 9550  
Fax: + 41 32 847 9569  
e-mail: [sales.ch@meas-spec.com](mailto:sales.ch@meas-spec.com)

#### ASIA

北京赛斯维测控技术有限公司  
北京市朝阳区望京西路48号  
金隅国际C座1002

电话 : + 86 010 8477 5646  
传真 : + 86 010 5894 9029  
邮箱 : [sales@sensorway.cn](mailto:sales@sensorway.cn)  
http://www.sensorway.cn

The information in this sheet has been carefully reviewed and is believed to be accurate; however, no responsibility is assumed for inaccuracies. Furthermore, this information does not convey to the purchaser of such devices any license under the patent rights to the manufacturer. Measurement Specialties, Inc. reserves the right to make changes without further notice to any product herein. Measurement Specialties, Inc. makes no warranty, representation or guarantee regarding the suitability of its product for any particular purpose, nor does Measurement Specialties, Inc. assume any liability arising out of the application or use of any product or circuit and specifically disclaims any and all liability, including without limitation consequential or incidental damages. Typical parameters can and do vary in different applications. All operating parameters must be validated for each customer application by customer's technical experts. Measurement Specialties, Inc. does not convey any license under its patent rights nor the rights of others.