

Piezoelectric Accelerometer

北京赛斯维测控技术有限公司
 北京市朝阳区望京西路48号
 金隅国际C座1002
 电话：+86 010 8477 5646
 传真：+86 010 5894 9029
 邮箱：sales@sensorway.cn

**ENDEVCO
 MODEL
 7703A-200
 -1000**



Model 7703A-200 and -1000

- To +550°F (+288°C), Temperature Compensated
- Side Connector, 1" Hex
- Hermetically Sealed
- Low Base Strain Sensitivity
- Ground Isolated
- High Output/Modal Applications

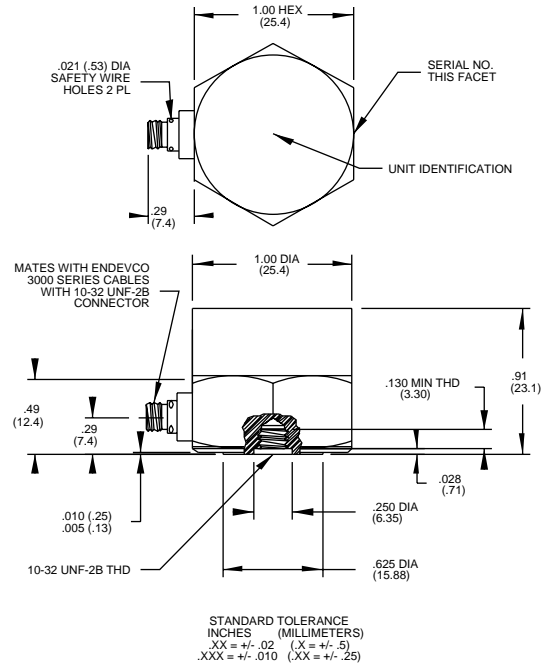


Actual size

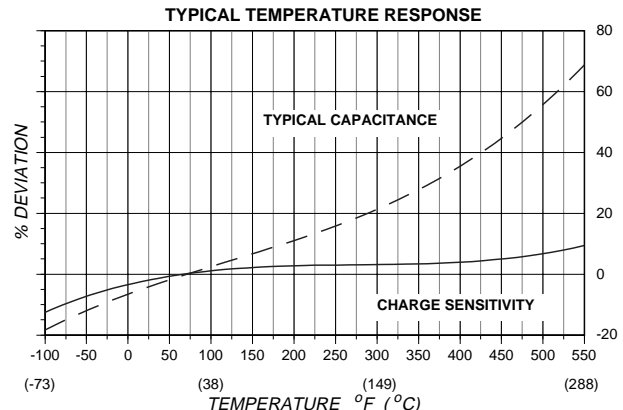
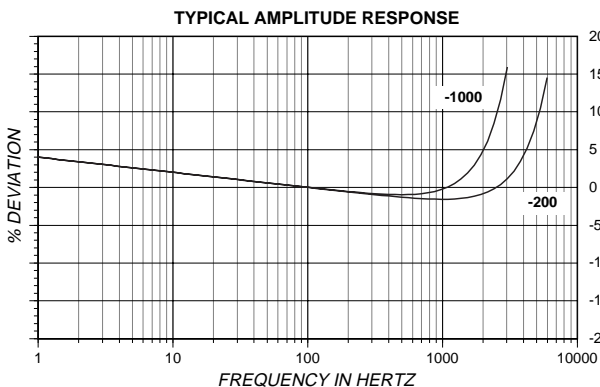
DESCRIPTION

The ENDEVCO® Model 7703A-XXXX ISOSHEAR piezoelectric accelerometer is designed for modal measurement on large structures and objects. The ISOSHEAR design is extremely stable and virtually insensitive to such environmental inputs as base bending and thermal transients. This line of accelerometers has been tested in a radiation environment up to 10^8 rads. They are also capable of measurement up to +550°F (+288°C). These units are hermetically sealed against external contamination. The accelerometer is a self-generating device that requires no external power source for operation.

The Model 7703A-XXXX features ENDEVCO's PIEZITE® Type P-8 crystal element, operating in shear mode. This unit exhibits low base strain sensitivity, high resonance frequency, and excellent output stability over time. Signal ground is isolated from the outer case of the unit. The accelerometer features a 10-32 side-connector. A low-noise coaxial cable is supplied for error-free operation. The model number suffix indicates acceleration sensitivity in pC/g; i.e., 7703A-1000 features output sensitivity of 1000 pC/g.



ENDEVCO Signal Conditioner Models 133, 2775A or OASIS 2000 Computer-Controlled System are recommended for use with this high impedance accelerometer.



**ENDEVCO
MODEL
7703A-200
-1000**

Piezoelectric Accelerometer

SPECIFICATIONS

The following performance specifications conform to ISA-RP-37.2 (1964) and are typical values, referenced at +75°F (+24°C) and 100 Hz, unless otherwise noted. Calibration data, traceable to National Institute of Standards and Technology (NIST), is supplied.

DYNAMIC CHARACTERISTICS	Units	-200	-1000
CHARGE SENSITIVITY			
TYPICAL	pC/g	200	1000
MINIMUM	pC/g	180	900
FREQUENCY RESPONSE			
See Typical Amplitude Response			
RESONANCE FREQUENCY	kHz	17	7.5
AMPLITUDE RESPONSE [1]			
±5%	Hz	1 to 4000	1 to 2000
±1dB	Hz	.5 to 5000	.5 to 3000
TEMPERATURE RESPONSE			
See Typical Curve			
TRANSVERSE SENSITIVITY	%	≤ 3	
AMPLITUDE LINEARITY [2]	%	1/125 g	1/125 g
Up to vibration limit			

ELECTRICAL CHARACTERISTICS

OUTPUT POLARITY	Acceleration directed into base of unit produces positive output at center socket of receptacle		
RESISTANCE	GΩ	≥ 10	
ISOLATION	GΩ	≥ 1	
CAPACITANCE	pF	5600	
GROUNDING	Signal return isolated from case		

ENVIRONMENTAL CHARACTERISTICS

TEMPERATURE RANGE [3]	-67°F to +550°F (-55°C to +288°C)		
HUMIDITY	Hermetically sealed		
SINUSOIDAL VIBRATION LIMIT	g pk	850	500
SHOCK LIMIT	g pk	2000	1000
BASE STRAIN SENSITIVITY	equiv. g pk/μstrain	0.0004	0.00008
ELECTROMAGNETIC SENSITIVITY	equiv. g rms/gauss	0.0002	0.0001
THERMAL TRANSIENT SENSITIVITY	equiv. g pk/°F (°C)	0.002 (0.004)	0.001 (0.002)
RADIATION			
INTEGRATED GAMMA FLUX	rad	Up to 10 ⁸	
INTEGRATED NEUTRON FLUX	N/cm ²	Up to 10 ¹⁰	

PHYSICAL CHARACTERISTICS

DIMENSIONS			
See Outline Drawing			
WEIGHT	gm (oz)	62 (2.2)	120 (4.2)
CASE MATERIAL	Stainless Steel		
CONNECTOR	Coaxial receptacle with 10-32 UNF threads designed to mate with Endevco Model 3000 Series Cables.		
MOUNTING TORQUE	lbf-in (Nm)	18 (2)	

CALIBRATION

SUPPLIED:			
CHARGE FREQUENCY RESPONSE	%	20 to 4 kHz	20 to 2 kHz
	dB	4 kHz thru resonance	2 kHz thru resonance
CHARGE SENSITIVITY	pC/g		
MAXIMUM TRANSVERSE SENSITIVITY	%		
CAPACITANCE	pF		

ACCESSORIES

Model 3090C-120 (10 ft)	CABLE ASSEMBLY for use to +500°F (+260°C)
Model 2981-12 EHM464	MOUNTING STUD, 10-32 TO 10-32 HEX KEY WRENCH

OPTIONAL ACCESSORIES

Model 3075M6-120 (10 ft)	CABLE ASSEMBLY for use above +500°F (+260°C)
Model 2981-4	MOUNTING STUD, 10-32 to M5
Model 2771AM3	IN-LINE CHARGE CONVERTOR FOR USE WITH CONSTANT CURRENT SOURCE
Model 2981-3	ADAPTER STUD, 10-32 to 10-32

NOTES

1. Low-end response of the transducer is a function of its associated electronics.
2. Short duration shock pulses, such as those generated by metal-to-metal impacts, may excite transducer resonance and cause linearity errors. Send for TP290 for more details.
3. Charge output is temperature compensated
4. Maintain high levels of precision and accuracy using Endevco's factory calibration services. Call Endevco's inside sales force at 800-982-6732 for recommended intervals, pricing and turn-around time for these services as well as for quotations on our standard products.

Continued product improvement necessitates that Endevco reserve the right to modify these specifications without notice. Endevco maintains a program of constant surveillance over all products to ensure a high level of reliability. This program includes attention to reliability factors during product design, the support of stringent Quality Control requirements, and compulsory corrective action procedures. These measures, together with conservative specifications have made the name Endevco synonymous with reliability.

ENDEVCO CORPORATION, 30700 RANCHO VIEJO ROAD, SAN JUAN CAPISTRANO, CA 92675 USA (800) 982-6732 (949) 493-8181 fax (949) 661-7231

www.sensorway.com

Email: applications@endevco.com
0101